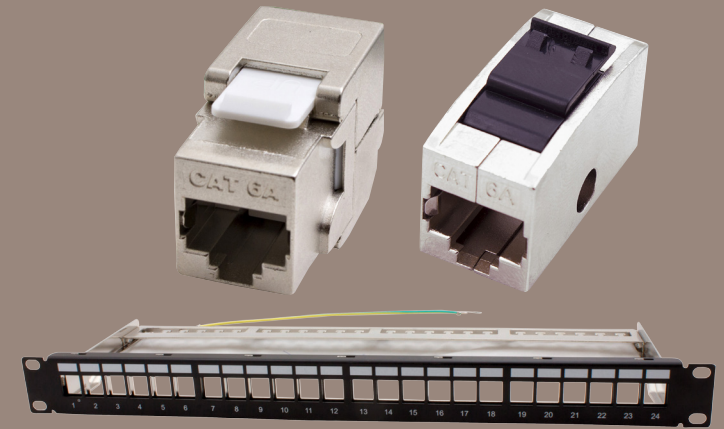


# CAT6a SHIELDED CONNECTIVITY



## Why Choose Hypertec Shielded CAT6a Patch Leads?

Category 6a (CAT6 Augmented) is defined at frequencies of up to 500Mhz, twice that of CAT6.

At these high speeds cross talk, in particular alien cross talk, present a significant issue to reliable operation.

Shielding is particularly critical in environments with increased levels of noise such as hospitals, telco operations infrastructure, radio and television broadcast applications, X-ray theatres and in the vicinity of mains power transmission lines, switch yards and substations.

Hypertec's range of shielded CAT6a now includes:

- Keystone jacks
- Keystone couplers
- Unloaded keystone patch panels
- Solid conductor cable
- Patch leads

The Hypertec shielded CAT6a Jack is a toolless jack featuring a keystone foot print, making it compatible with keystone patch panels. Bezels are also available, making these jacks compatible with Clipsal & HPM style face plates.

The Hypertec shielded unloaded patch panel features an all metal body and comes with a ground wire kit, to quickly and easily ground the patch panel. The all metal body ensures contact with the jack's metal body and results in shield continuity.

Hypertec Shielded CAT6a Patch Lead cables feature double shielding where individual twisted pairs are foil shielded, before a final braided wire shield is wrapped around the complete cable bundle. All these shields are connected to the metal frame, which is an integral component of the Hypertec RJ connector.

## Features and Benefits

- Individually tested to ensure Cat6a component level compliance
- Fully shielded to minimise noise and ensure Cat6a performance is met
- Backward compatible with Cat5, Cat5E and Cat6
- Toolless termination of jacks reduce installation time
- Ground wire kit is included with patch panel for quick and easy earthing
- Patch leads are overall and individually shielded S/FTP for maximum Cat6a performance

## Conformant Standards

- A-Tick certified
- ETL conformant to TIA/EIA 568-C
- ISO/IEC 11801 & EN 50288
- ROHS Compliant



## Ordering Information

Part No.	Description
HJ6A/10S	Keystone Jack
HCPLC6AS/10	Keystone Coupler
HPP24-USK	Shielded Unloaded Patch Panel
HC6AF/FTP	Shielded Solid Conductor Cable

### Specifications: Keystone Jack

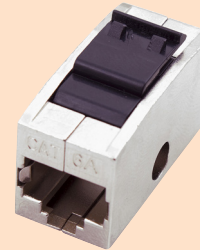
- Pack quantity: 10
- Wiring Scheme: T568A/B
- Footprint: Keystone
- Conductor Size: 22 to 26 AWG
- Cable O.D. range: 6 to 10mm
- Mating cycles Front RJ-45: 750 times
- IDC Termination: 250 times



HJ6A/10S

### Specifications: Keystone Coupler

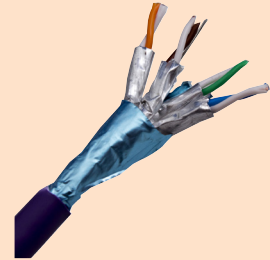
- Pack quantity: 10
- Wiring Scheme: T568A/B
- Footprint: Keystone
- Mating cycles Front RJ-45: 750 times
- Mating cycles Rear RJ-45: 750 times
- Housing material: zinc alloy
- Front connection material: 50µ inch Gold over Nickel



HCPLC6AS/10

### Specifications: Shielded Solid Conductor Cable

- Shielding: F/FTP Individual and overall foil with drain wire
- Jacket Material: LSZH
- Conductor Size: 23AWG solid
- Conductor Material: Bare Copper
- NVP (nominal velocity of propagation): 68% ± 2%
- Pack Quantity: 305m reel



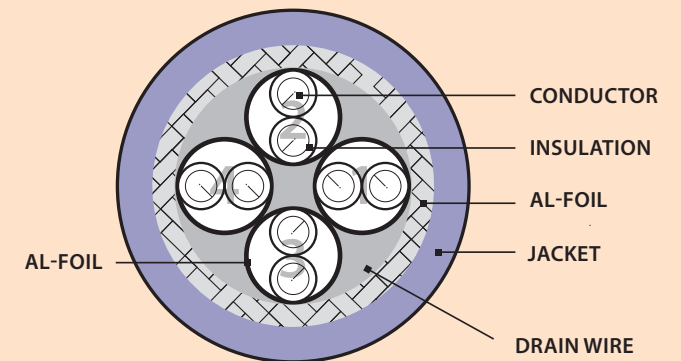
HC6AF/FTP

### Specifications: Shielded Unloaded Patch Panel

- Pack quantity: 1
- Wiring Scheme: N/A (unloaded)
- Footprint: Keystone
- Patch Panel material: metal
- Number of ports: 24
- Included accessories
  - rear cable management bar
  - earth wire kit



HPP24-USK

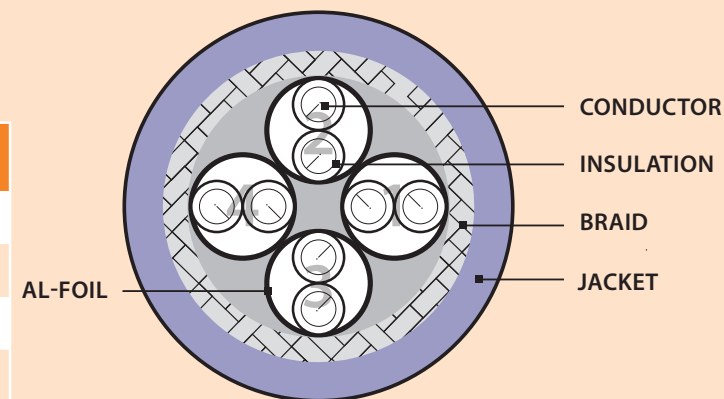
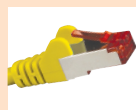


## Specifications: Shielded Patch Lead

- Pack quantity: 1
- Wiring Scheme: T568A
- Shielding: Individually shielded pairs S/FTP
- Jacket material: LSZH
- Conductor size: 26AWG (7 strands)
- Conductor Material: Bare Copper
- Fully moulded strain relief boots
- Lead Diameter: 6.0mm nominal OD

## Ordering Information

Length (m)	Blue	Purple	White	Yellow	Black	Grey	Red	Green
0.5	HCAT6ABL0.5	HCAT6APU0.5	HCAT6AWH0.5	HCAT6AYL0.5	HCAT6ABK0.5	HCAT6AGY0.5	HCAT6ARD0.5	HCAT6AGN0.5
1	HCAT6ABL1	HCAT6APU1	HCAT6AWH1	HCAT6AYL1	HCAT6ABK1	HCAT6AGY1	HCAT6ARD1	HCAT6AGN1
1.5	HCAT6ABL1.5	N/A	HCAT6AWH1.5	HCAT6AYL1.5	HCAT6ABK1.5	HCAT6AGY1.5	N/A	N/A
2	HCAT6ABL2	HCAT6APU2	HCAT6AWH2	HCAT6AYL2	HCAT6ABK2	HCAT6AGY2	HCAT6ARD2	HCAT6AGN2
3	HCAT6ABL3	HCAT6APU3	HCAT6AWH3	HCAT6AYL3	HCAT6ABK3	HCAT6AGY3	HCAT6ARD3	HCAT6AGN3
5	HCAT6ABL5	HCAT6APU5	HCAT6AWH5	HCAT6AYL5	HCAT6ABK5	HCAT6AGY5	HCAT6ARD5	HCAT6AGN5
10	HCAT6ABL10	HCAT6APU10	HCAT6AWH10	HCAT6AYL10	HCAT6ABK10	HCAT6AGY10	HCAT6ARD10	HCAT6AGN10



### PIN OUT

