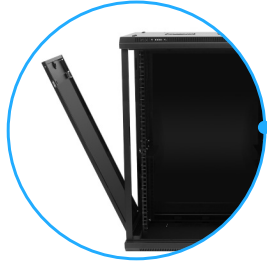


Wall Cabinets

DESCRIPTION

Our Sframe™ Wall Cabinets are designed for wall mounting of your networking and telecommunications equipment

FEATURES



removable side panels

rack sizes from 6U up to 27U



rugged frame to support heavy loads



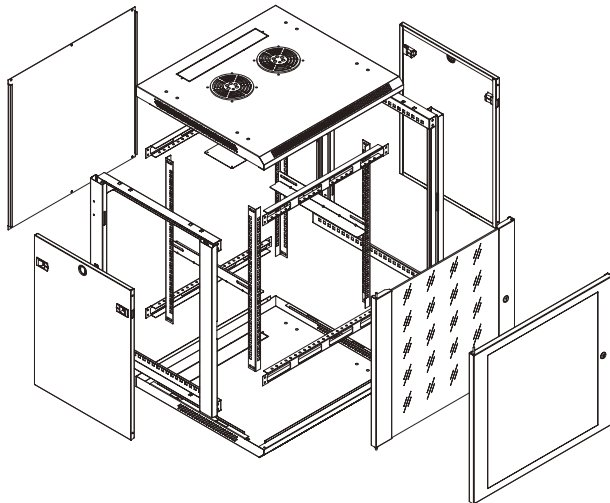
SPECIFICATIONS

- 19-inch mounting width suitable for most networking equipment
- Conforms to industry standard ANSI/EIA-310-D and IEC 60297-3 mounting configuration
- Up to 61kg (135lbs) static load capacity
- Body and frame fabricated from cold rolled steel
- Matte black powder-coated finish (also available in white)

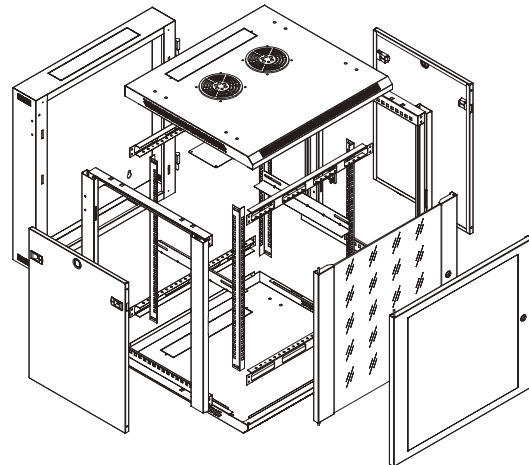
OPTIONS

Sframe™ Wall Cabinets are offered with either single section or double section design depending on use case

Option: Single Section



Option: Double Section



Sframe™ images, data, and content © 2015, 2016 Davis Legend. All rights reserved.

ORDER INFORMATION

Sframe™ Wall Cabinets are offered in the following standard configurations

RACK UNITS	SECTIONS	DEPTH	PART NUMBER	DOOR	COLOR
6U	Single	450mm (17.72 inches)	SWC-PKST-01-6U645	D(Perforated steel) A(Steel casement) B1(Smokey-gray glass) B2(Smokey-gray perspex)	CBK (Black) CWH (White)
	Double	550mm (21.65 inches)	SWC-PKST-02-6U655		
9U (By Order)	Single	450mm (17.72 inches)	SWC-PKST-01-9U645		
	Double	550mm (21.65 inches)	SWC-PKST-02-9U655		
12U	Single	450mm (17.72 inches)	SWC-PKST-01-12U645		
	Double	550mm (21.65 inches)	SWC-PKST-02-12U655		
	Single	600mm (23.62 inches)	SWC-PKST-01-12U660		
	Double	700mm (27.56 inches)	SWC-PKST-02-12U670		
15U (By Order)	Single	450mm (17.72 inches)	SWC-PKST-01-15U645		
	Double	550mm (21.65 inches)	SWC-PKST-02-15U655		
18U	Single	450mm (17.72 inches)	SWC-PKST-01-18U645		
	Double	550mm (21.65 inches)	SWC-PKST-02-18U655		
	Single	600mm (23.62 inches)	SWC-PKST-01-18U660		
	Double	700mm (27.56 inches)	SWC-PKST-02-18U670		
27U (By Order)	Single	450mm (17.72 inches)	SWC-PKST-01-27U645		
	Double	550mm (21.65 inches)	SWC-PKST-02-27U655		
27U	Single	600mm (23.62 inches)	SWC-PKST-01-27U660		

- Standard configurations can be ordered as <PART NUMBER>-<DOOR>-<COLOR> (eg. SWC-PKST-01-27U645-B1-CBK).
- Flat packs are also available with "-C" after the product code. (eg. SWC-PKST-01-27U645-B1-CBK-C).
- Custom configurations also available upon request, please contact our Sales team for more information.

Optional Accessories



2-Way Roof Mount Fan Kit
SCA-UCST-03-CBK



275mm Deep Fixed Shelf
SUA-FSST-01-45-CBK



370*70mm Brush Cable Entry
SWA-BBST-01-CBK



8-Way Horizontal Power Rail
DPU-EHA-1U-080210-06-CSI



Side Panel Lock with Master Key
SUA-SDPS-02-CBK